



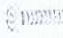
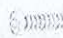

ASSEMBLY INSTRUCTIONS

DFET2

LAMP PARTS:

- A. TABLE TOP, 1PC
- B. BIPOD, 2PCS
- C. SIDE PANEL, 2PCS
- D. BOTTOM SHELF, 1PC
- E. FINIAL, 1PC
- F. SHADE, 1PC
- G. HARP, 1PC
- H. METEL ARM WITH SADDLE AND SOCKET, 1PC
- I. TUBE, 1PC

HARDWARE:

a		1/4"xL3/8"	4pcs
b		1/4"xL1-3/8"	8pcs
c		ALLEN WRENCH	1pc

1. CAREFULLY REMOVE THE ALL PARTS FROM THE BOX AND REMOVE ALL COVERING, PLACE CLOTH ON FLOOR TO PROTECT PARTS FROM BEING SCRATCHED DURING ASSEMBLY.
2. PLACE TABLE TOP (A) UPSIDEDOWN ON THE CLOTH, THEN PLACE THE BIPOD (B) ON TABLE TOP (A) AND FASTEN THEM BY SCREWING FOUR BOLTS (a) AS SHOWN. (FIG.1), TIGHTEN HALFWAY. ONLY.
3. ATTACH THE SIDE PANELS (C) TO BETWEEN BIPODS (B), AND SCREW THEM TO BIPODS (B) BY USING BOLTS (b) AND ALLEN WRENCH (c). (FIG 2) TIGHTEN HALFWAY ONLY.

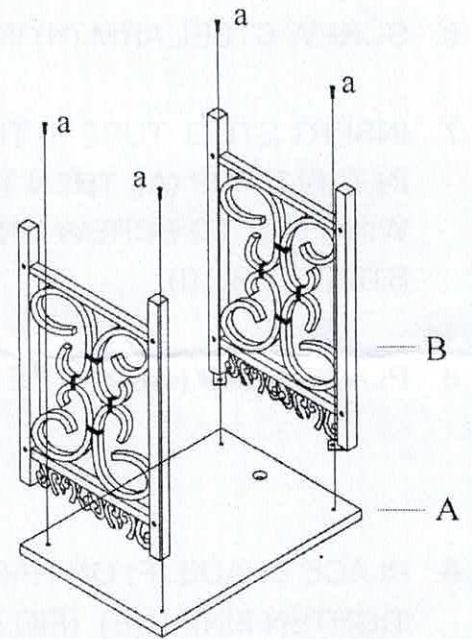
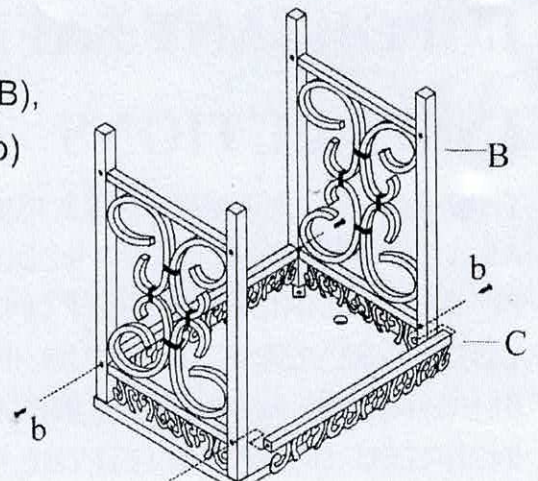


FIG 1



4. ATTACH BOTTOM FRAME (D) TO BETWEEN THE BIPODS, ALIGN THE HOLES ON BIPODS (B) AND BOTTOM FRAME (D), THEN TIGHTEN THEM BY SCREWING BOLT (b). NOW TIGHTEN ALL BOLTS COMPLETELY. (FIG 3)

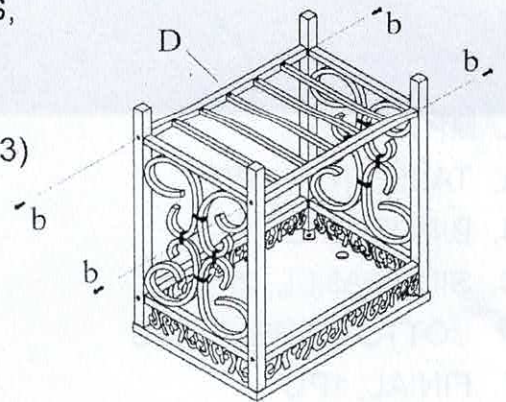


FIG 3

5. NOW, PLEASE TIGHTEN COMPLETELY, THEN TURN THE ASSEMBLED TABLE RIGHTSIDE UP.

6. SCREW STEEL ARM (H) INTO STEEL TUBE (I).

7. INSERT STEEL TUBE (I) THROUGH THE HOLE IN TABLE TOP (A), THEN TIGHT WASHER AND WING NUT TO SCREW UNDERNEATH THE STEEL TUBE (I).

8. PLACE HARP (G) ON THE SADDLE. (FIG 4)

9. PLACE SHADE (F) ON HARP (G) AND TIGHTEN FINIAL (E). (FIG 4)

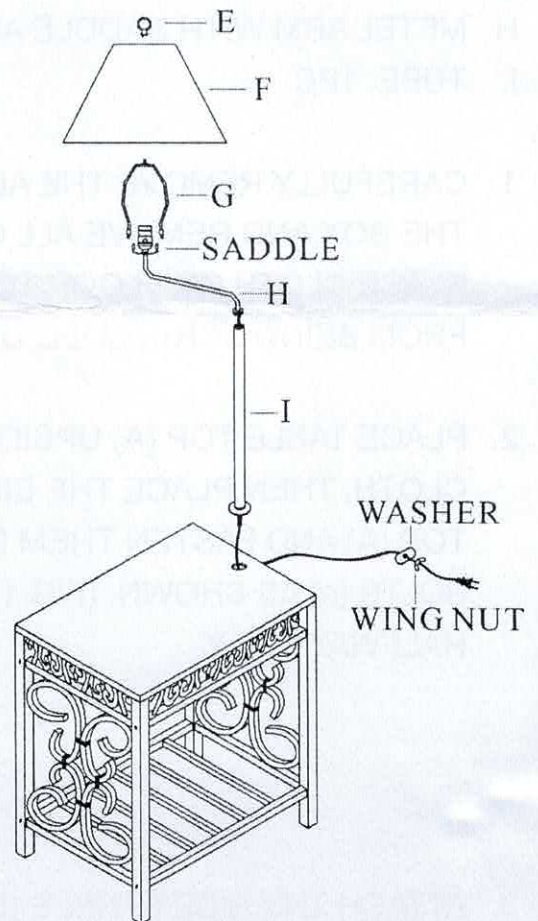


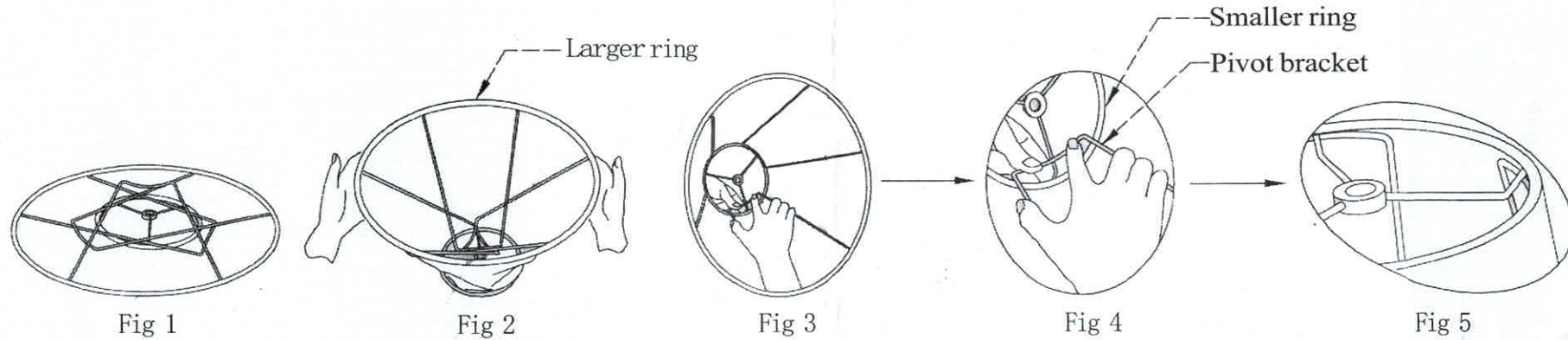
FIG 4

IMPORTANT SAFETY

INSTRUCTIONS

THIS PORTABLE LAMP HAS A POLARIZED PLUG (ONE BLADE IS WIDER THAN THE OTHER) AS A SAFETY FEATURE TO REDUCE THE RISK OF ELECTRIC SHOCK. THIS PLUG WILL FIT IN A POLARIZED OUTLET ONLY ONE WAY. IF THE PLUG DOES NOT FIT FULLY IN THE OUTLET, REVERSE THE PLUG. IF IT STILL DOES NOT FIT, CONTACT A QUALIFIED ELECTRICIAN. NEVER USE WITH AN EXTENSION CORD UNLESS PLUG CAN BE FULLY INSERTED. DO NOT ALTER THE PLUG.

TO COMPLETE THIS SHADE, PLEASE FOLLOW THESE SIMPLE INSTRUCTIONS



STEP 1: Lay the shade on a table as shown in the fig 1.

STEP 2: Hold the larger ring with two hands and let smaller ring and pivot brackets fall down into shade as shown in the fig 2.

STEP 3: Hold the smaller shade ring with one hand and insert the pivot bracket with your other hand into the smaller shade ring one at a time as shown in the fig 3 , fig 4 & fig 5.

NOTE: (1). During transit the shade fabric may become wrinkled. Following assembly, wrinkles will disappear within a few days.

(2). KD Shades come in a variety of sizes and shapes. The shade you have purchased and the bracket configuration may be different than however the assembly procedure will be same.