



ASSEMBLING & INSTALLATION INSTRUCTIONS

The drawing shown may not exactly match the product enclosed.
However, the installation instructions do apply to this product.

2061 2161 2261 2361 2366 2051 2151 2251 2351 2356

- ◆ **WARNING! SHUT POWER OFF AT FUSE OR CIRCUIT BREAKER.**
- ◆ **ATTENTION! COUPER LE COURANT AU FUSIBLE OU UN DISJONCTEUR.**

ASSEMBLING THE FIXTURE (Fig.1)

1. Shut off the power at the circuit breaker and remove old fixture, including the single bar. Carefully unpack your new fixture and lay out all the parts on a clear area. Take care not to lose any small parts necessary for installation.
2. Thread the two mounting screws into the pre-drilled holes in the crossbar, spaced about the same distance apart as the holes in the fixture back plate. Attach the crossbar to the junction box using two junction box screws as shown. The side of the mounting plate marked "GND" must face out. **The junction box is not included.**
3. Follow wiring instructions carefully. (see fig.2)
4. Attached the pipe thread(D) insert to the top hex coupling of lamp body(E), by turn it clockwise until tight. Attached the cover(C) and plastic shim onto the top of lamp body(E), lock it securely with the loop(B). Using the end of arm(A) hooked the lamp body's loop, aligning the other end holes of the arm(A) with the top holes of back plate, lock it securely with screws(H) and hex nuts. Attached the lamp body onto the junction box, aligning screws on crossbar with mounting holes and lock it securely with the ball nuts (F). Put the candle sleeve (G) over the lamp holder. **NOTE: 2061,2161,2051,2151 not have candle sleeve(G).**
5. Install the light bulbs (Not included) in accordance with the fixture's specifications. **NOTE: DO NOT EXCEED THE MAXIMUM WATTAGE RATING!**
6. **With silicone caulking compound, caulk completely around where back of cover meets with the wall surface to prevent water from seeping into junction box.**

CONNECTING THE WIRES (Fig.2)

1. Connect the electrical wires as follows. Connect the Black wire from the fixture to the black house (hot) Wire. Connect the white wire from the fixture to the white (neutral) house wire. Make sure all wire nuts are secured. You may wrap the connections with electrical tape. If your outlet box has a ground wires (green or bare copper) connect fixture's ground wire to it. Otherwise attach the bare copper fixture wire to the green ground screw on the crossbar.
2. Tuck the wire connections neatly into the wall junction box.

Your installation is now complete. Return power to the junction

box and test the fixture.

FIG.1

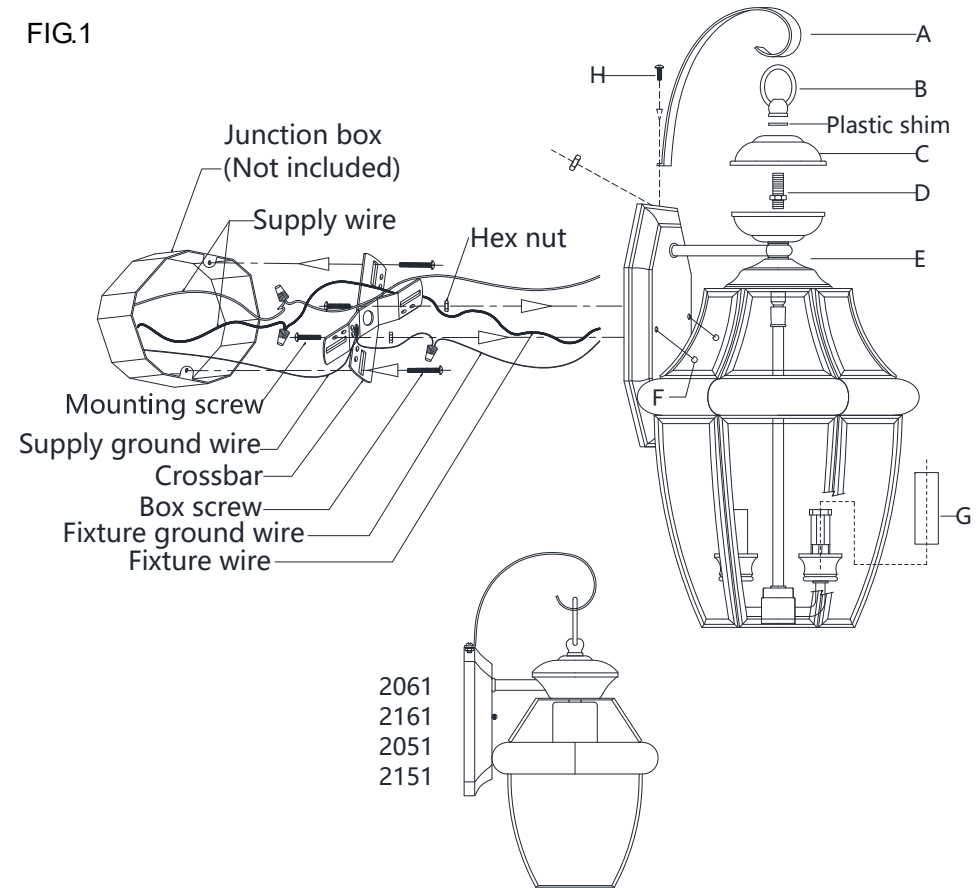
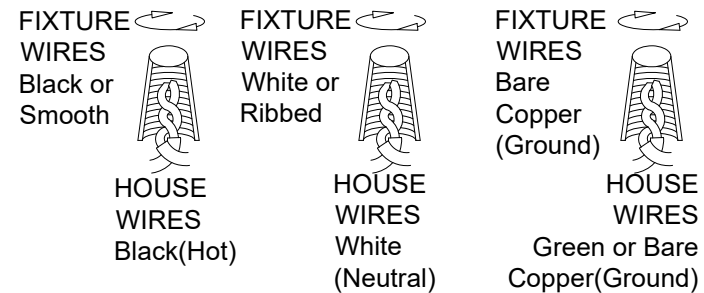


FIG.2



Thank you for purchasing a **LIVEX** product.

Need assistance with parts or assembly? Please call customer service at: **800-761-8056**

Or visit us on-line at: WWW.LIVEXLIGHTING.COM