

SKU#55M18

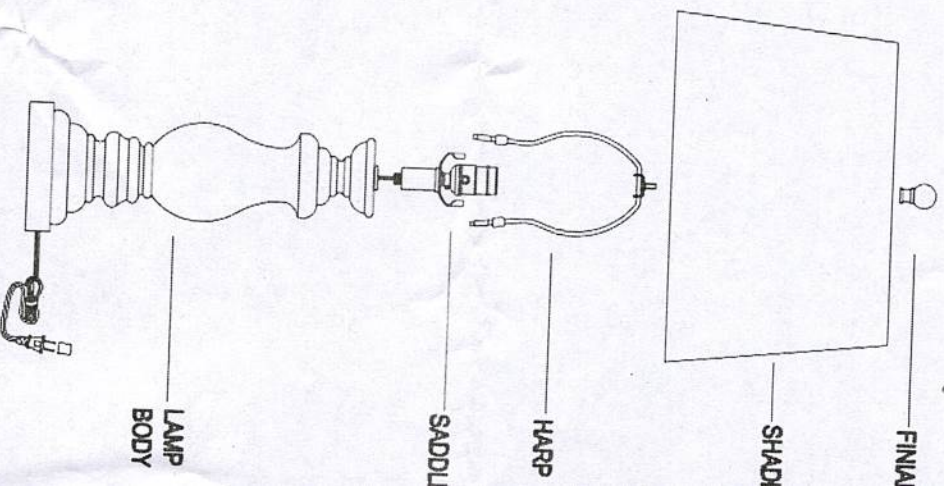
ASSEMBLY INSTRUCTIONS

1. UNPACK ALL PARTS FROM CARTONS CAREFULLY.
2. FASTEN THE SADDLE ONTO THE LAMP BODY UNTIL TIGHT ;
3. PLACE THE HARP ONTO SADDLE.
4. PLACE THE SHADE ONTO HARP AND TIGHTEN FINIAL.

IMPORTANT SAFETY INSTRUCTIONS

THIS PORTABLE LAMP HAS A POLARIZED PLUG (ONE BLADE IS WIDER THAN THE OTHER) AS A SAFETY FEATURE TO REDUCE THE RISK OF ELECTRIC SHOCK. THIS PLUG WILL FIT IN A POLARIZED OUTLET ONLY ONE WAY. IF THE PLUG DOES NOT FIT FULLY IN THE OUTLET, REVERSE THE PLUG, IF IT STILL DOES NOT FIT, CONTACT A QUALIFIED ELECTRICIAN. NEVER USE WITH AN EXTENSION CORD UNLESS PLUG CAN BE FULLY INSERTED. DO NOT ALTER THE PLUG.

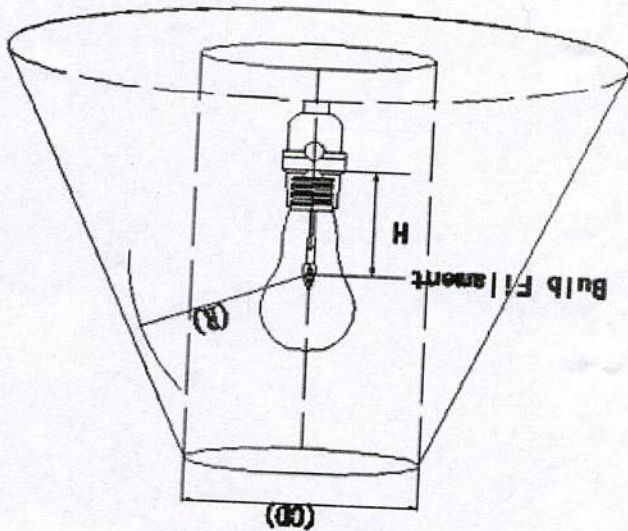
READ & SAVE THESE INSTRUCTIONS



ALTERNATE SHADE SPECIFICATION

Critical Bulb-to-shade Spacing for Open Top / Open Bottom Shades
 For your safety, follow the dimensions shown in the chart below.

* Cylinder Diameter



****WARNING****
 The recommended shades shown on the back of this lamp package are properly sized for use with this lamp. If an **Alternate Shade** is used, measurements must be checked according to the specifications below. Caution: Using an oversized shade may cause fixture to easily tip over.

AT NO TIME SHOULD THE * CYLINDER DIAMETER (CD) AND **CRITICAL RADIUS (R) MEASUREMENTS OF YOUR ALTERNATE SHADE BE LESS THAN THE MEASUREMENTS NOTED BELOW, AS THIS MAY CAUSE A FIRE HAZARD

Lamp holder base size	Bulb	Wattage		Type	Inches (mm)	Inches (mm)	Inches (mm)	Inches (mm)	Inches (mm)		
		Wattage	Type								
Medium	Medium	25W	40W	60W	3	3.5	A	(76.2)	(41.3)	2-3/4	(69.8)
							A	(88.9)	(50.8)	3-1/4	(82.5)
							A	(88.9)	(63.5)	3-1/4	(82.5)
							A	(88.9)	(73.0)	3-1/4	(82.5)
							A	(101.6)	(88.9)	3-1/4	(82.5)
							A	(114.3)	(88.9)	3-1/4	(82.5)
							A	(141.3)	(88.9)	3-1/4	(82.5)
							A	(154.0)	(88.9)	3-1/4	(82.5)
Candelabra	Candelabra	25W	40W	60W	3	3.5	B	(76.2)	(41.3)	2	(50.8)
							B	(88.9)	(50.8)	2	(50.8)
							B	(88.9)	(63.5)	2	(50.8)
							B	(101.6)	(88.9)	2	(50.8)
							B	(114.3)	(88.9)	2	(50.8)
							B	(127.0)	(88.9)	2	(50.8)

Terminology

*CD = Cylinder Diameter
 The minimum diameter of a cylinder, as determined by the bulb wattage in the Chart, which must be able to pass through the openings in the top and bottom of the shade.

**r = Critical Radius
 The critical radius is the minimum allowable horizontal distance from the center point of the bulb filament to either side of the shade (see diagram).