

ASSEMBLY INSTRUCTIONS

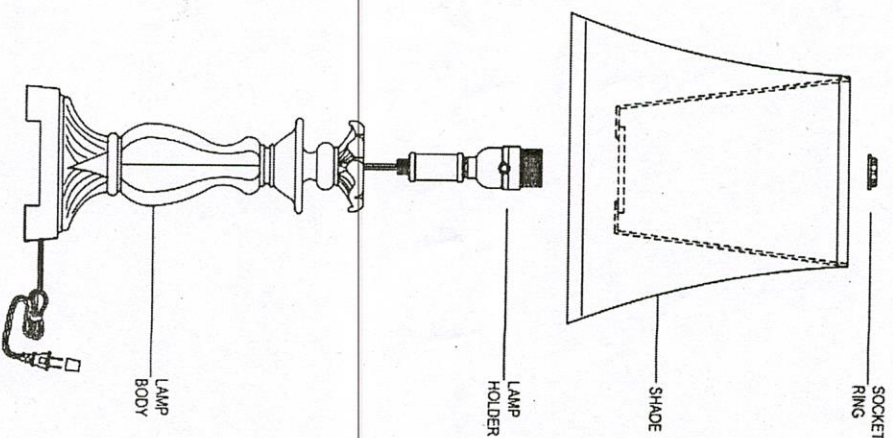
SKU#76K06, 76K07

- 1.UNPACK ALL PARTS FROM CARTONS CAREFULLY.
- 2.PULL CORD THROUGH LAMP HOLDER ATTCHED TO LAMP BODY.
- 3.PLACE THE SHADE ONTO LAMP HOLDER.
- 4.LOCK SHADE WITH SOCKET RING UNTIL TIGHTEN.

IMPORTANT SAFETY INSTRUCTIONS

THIS PORTABLE LAMP HAS A POLARIZED PLUG (ONE BLADE IS WIDER THAN THE OTHER) AS A SAFETY FEATURE TO REDUCE THE RISK OF ELECTRIC SHOCK.THIS PLUG WILL FIT IN A POLARIZED OUTLET ONLY ONE WAY.IF THE PLUG DOES NOT FIT FULLY IN THE OUTLET,REVERSE THE PLUG,IF IT STILL DOES NOT FIT,CONTACT A QUALIFIED ELECTRICIAN.NEVER USE WITH AN EXTENSION CORD UNLESS PLUG CAN BE FULLY INSERTED.DO NOT ALTER THE PLUG.

READ & SAVE THESE INSTRUCTIONS



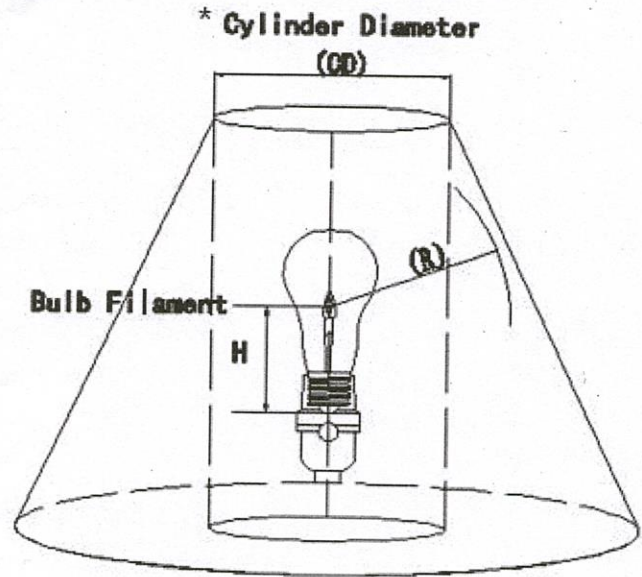
ALTERNATE SHADE SPECIFICATION

Critical Bulb-to-shade Spacing for Open Top / Open Bottom Shades



For your safety, follow the dimensions shown in the chart below.

WARNING

The recommended shades shown on the back of this lamp package are properly sized for use with this lamp. If an **Alternate Shade** is used, measurements must be checked according to the specifications below. Caution: Using an oversized shade may cause fixture to easily tip over.



AT NO TIME SHOULD THE * CYLINDER DIAMETER (CD) AND **CRITICAL RADIUS (R) MEASUREMENTS OF YOUR ALTERNATE SHADE BE LESS THAN THE MEASUREMENTS NOTED BELOW, AS THIS MAY CAUSE A FIRE HAZARD

Lamp holder base size	Bulb		*(CD) Cylinder Diameter		**(R) Critical Radius		(H) Lamp centerline length	
	Wattage	Type	Inches	(mm)	Inches	(mm)	Inches	(mm)
	Medium 25W	A	3	3.5 (76.2)	1-5/8	(41.3)	2-3/4	(69.8)
	Medium 40W	A			2	(50.8)	3-1/4	(82.5)
	Medium 60W	A	3.5	(88.9)	2-1/2	(63.5)	3-1/4	(82.5)
	Medium 75W	A	3.5	(88.9)	2-7/8	(73.0)	3-1/4	(82.5)
	Medium 100W	A	4	(101.6)	3-1/2	(88.9)	3-1/4	(82.5)
	Medium 150W	A	4.5	(114.3)	4-3/4	(120.7)	3-1/4	(82.5)
	Candelabra 25W	B	3	(76.2)	1-5/8	(41.3)	2	(50.8)
	Candelabra 40W	B	3.5	(88.9)	2	(50.8)	2	(50.8)
	Candelabra 60W	B	3.5	(88.9)	2-1/2	(63.5)	2	(50.8)

Terminology

*CD= Cylinder Diameter

The minimum diameter of a cylinder, as determined by the bulb wattage in the Chart, which must be able to pass through the openings in the top and bottom of the shade.

**r = Critical Radius

The critical radius is the minimum allowable horizontal distance from the center point of the bulb filament to either side of the shade (see diagram).