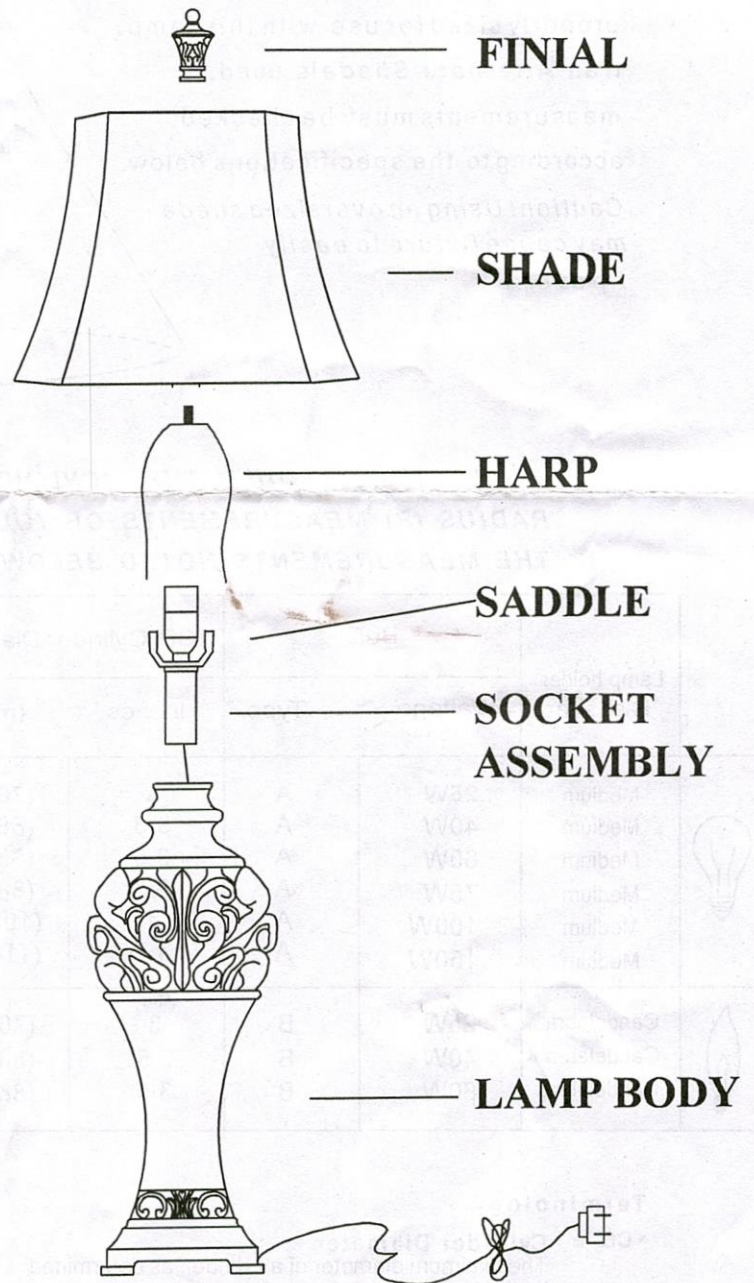


# ASSEMBLY INSTRUCTION

- 1.-CARE FULLY PULL OUT EXCESS POWER CORD FROM THE LAMP BASE WHILE ASSEMBLING TO PREVENT THE CORD FROM BECOMING TWISTED.
- 2.-FASTEN SOCKET ASSEMBLY ONTO LAMP BODY.TO TWIST POWER CORD.TIGHTEN SECURELY.
- 3.-PLACE HARP ONTO SADDLE.
- 4.-PLACE SHADE ONTO HARP AND TIGHTEN FINIAL.

## IMPORTANT SAFETY INSTRUCTIONS

THIS PORTABLE LAMP HAS A POLARIZED PLUG ( ONE BLADE IS WIDER THAN THE OTHER ). AS A SAFETY FEATURE, THIS PLUG WILL FIT IN A POLARIZED OUTLET ONLY ONE WAY.IF THE PLUG DOES NOT FIT FULLY IN THE OUTLET , REVERSE THE PLUG. IF IT STILL DOES NOT FIT, CONTACT A QUALIFIED ELECTRICIAN, NEVER USE WITH AN EXTENSION CORD UNLESS PLUG CAN BE FULLY INSERTED. DO NOT ATTEMPT TO DEFEAT THIS SAFETY FEATURE.





# ALTERNATE SHADE SPECIFICATION

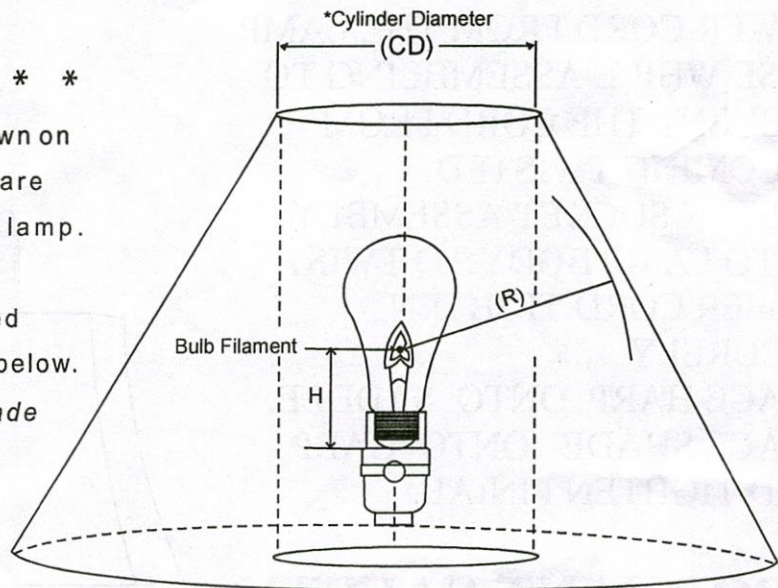
## Critical Bulb-to-Shade Spacing for Open Top / Open Bottom Shades

For your safety, follow the dimensions shown in the chart below.



### \*\* WARNING \*\*

The recommended shades shown on the back of this lamp package are properly sized for use with this lamp. If an **Alternate Shade** is used, measurements must be checked according to the specifications below.

*Caution: Using an oversized shade may cause fixture to easily tip over.*



**AT NO TIME SHOULD THE \*CYLINDER DIAMETER (CD) AND \*\*CRITICAL RADIUS (R) MEASUREMENTS OF YOUR ALTERNATE SHADE BE LESS THAN THE MEASUREMENTS NOTED BELOW, AS THIS MAY CAUSE A FIRE HAZARD.**

Lamp holder base size	Bulb		*(CD)Cylinder Diameter		** (R) Critical Radius		(H)Lamp centerline length		
	Wattage	Type	Inches	(mm)	Inches	(mm)	Inches	(mm)	
	Medium	25W	A	3	(76.2)	1-5/8	(41.3)	2-3/4	(69.8)
	Medium	40W	A	3.5	(88.9)	2	(50.8)	3-1/4	(82.5)
	Medium	60W	A	3.5	(88.9)	2-1/2	(63.5)	3-1/4	(82.5)
	Medium	75W	A	3.5	(88.9)	2-7/8	(73.0)	3-1/4	(82.5)
	Medium	100W	A	4	(101.6)	3-1/2	(88.9)	3-1/4	(82.5)
	Medium	150W	A	4.5	(114.3)	4-3/4	(120.7)	3-1/4	(82.5)
	Candelabra	25W	B	3	(76.2)	1-5/8	(41.3)	2	(50.8)
	Candelabra	40W	B	3.5	(88.9)	2	(50.8)	2	(50.8)
	Candelabra	60W	B	3.5	(88.9)	2-1/2	(63.5)	2	(50.8)

### Terminology

**\* CD = Cylinder Diameter**

The minimum diameter of a cylinder, as determined by the bulb wattage in the Chart, which must be able to pass through the openings in the top and bottom of the shade.

**\*\* r = Critical Radius**

The critical radius is the minimum allowable horizontal distance from the center point of the bulb filament to either side of the shade (see diagram).