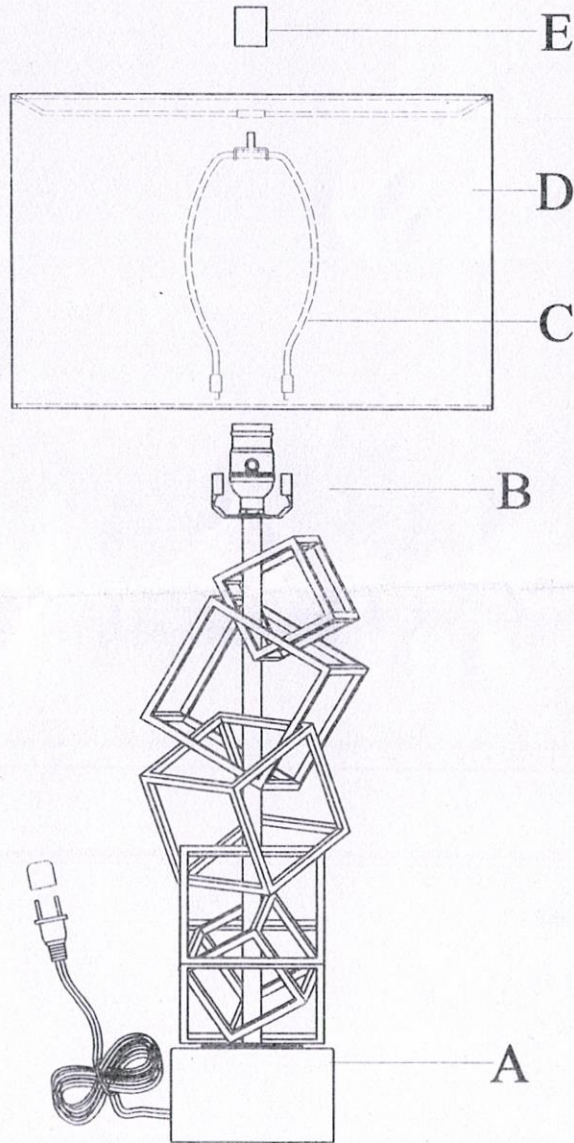


## ASSEMBLY INSTRUCTIONS



### PARTS:

- A: Base
- B: Saddle
- C: Harp
- D: Shade
- E: Finial

### STEP:

1. Remove all parts from package, being careful not to damage any components and place base (A) on the desk.
2. Place harp (C) on saddle (B) and place shade (E) on harp (C). Then secure it with finial (E).

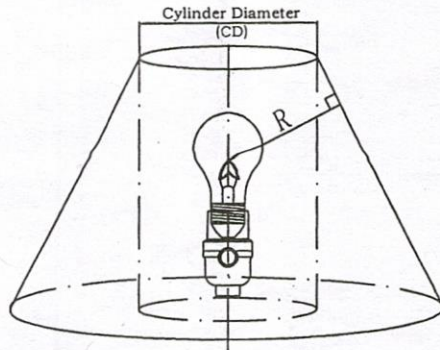
## IMPORTANT SAFETY INSTRUCTIONS

This portable lamp has a polarized plug (one blade is wider than the other) as a safety feature to reduce the risk of electric shock. This plug will fit in a polarized outlet only one way. If the plug does not fit fully in the outlet, reverse the plug. If it still does not fit, contact a qualified electrician. Never use with an extension cord unless plug can be fully inserted. Do not alter the plug.

800C1



THIS LAMP USES TYPE "A" STANDARD 150 WATT BULB.



At no time should the "cylinder diameter (CD)" and "Min spacing (R)" measurements of your shade be less than the measurements noted below.

CD= 4.5"

R=4.75"

**WARNING:** Using a higher wattage bulb than what is recommended may cause a fire hazard. Using a shade with smaller "CD" and "R" than recommended may also cause a fire hazard.

---

## TERMINOLOGY

"CD" - cylinder diameter

The minimum diameter of a cylinder, which must pass through the openings in top and bottom of the shade.(See diagram).

"R" - Min spacing from lamp to shade

The Min spacing is the minimum allowable distance from the center line of the bulb to either side of the shade .