

ASSEMBLY INSTRUCTION

- 1.-FASTEN TUBE(A) ONTO BASE.
- 2.-FASTEN TUBE(B) ONTO TUBE(A).
- 3.-FASTEN SOCKET ASSEMBLY ONTO TUBE(B).
- 4.-PLACE HARP ONTO SADDLE.
- 5.-PLACE SHADE ONTO HARP AND TIGHTEN FINIAL.

Notes: Fixed LED night light is equiped in art glass, which is by top socket switch.

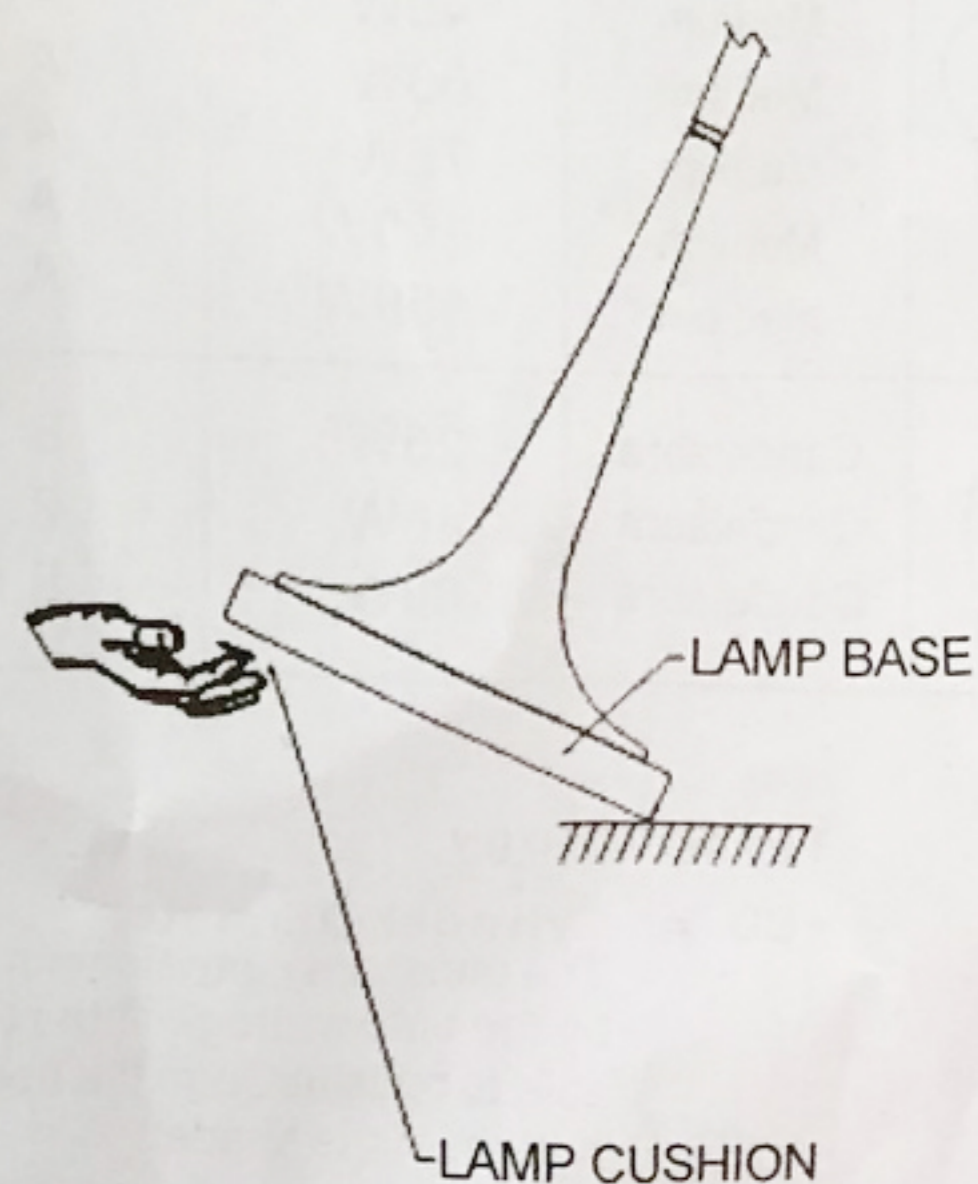
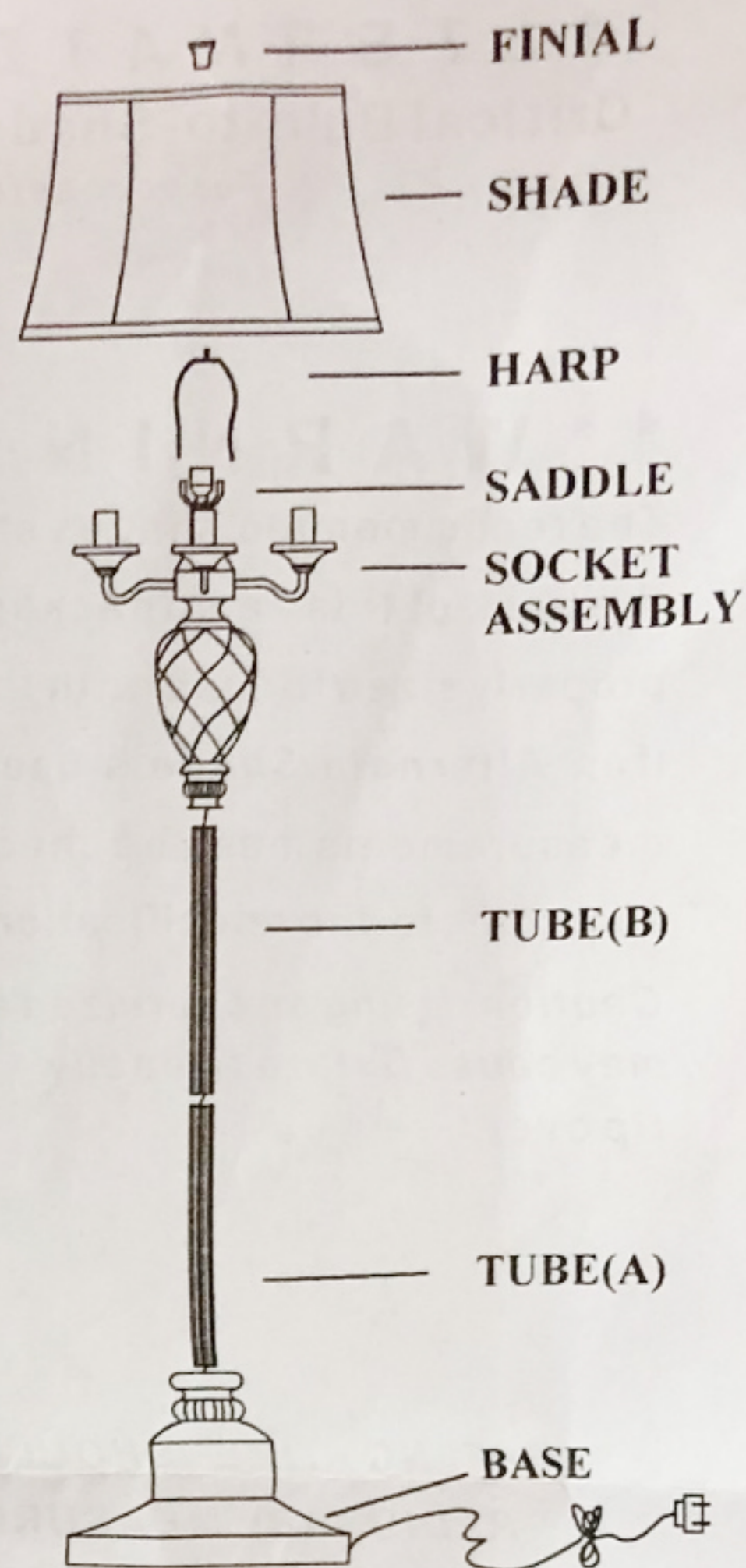
IMPORTANT SAFETY INSTRUCTIONS

THIS PORTABLE LAMP HAS A POLARIZED PLUG(ONE BLADE IS WIDER THAN THE OTHER).AS A SAFETY FEATURE,THIS PLUG WILL FIT IN A POLARIZED OUTLET ONLY ONE WAY.IF THE PLUG DOES NOT FIT FULLY IN THE OUTLET,REVERSE THE PLUG.IF IT STILL DOES NOT FIT,CONTACT A QUALIFIED ELECTRICIAN, NEVER USE WITH AN EXTENSION CORD UNLESS PLUG CAN BE FULLY INSERTED.DO NOT ATTEMPT TO DEFEAT THIS SAFETY FEATURE.

Installation of Leveling Kit:

After you have fully assembled your lamp and find out that it is leaning toward a certain angle, you can level it using these simple steps:

1. Peel off adhesive on the round cushion, and attach it on the area that wobbles or needs added height.
2. Depending on how high or low you want the lamp leveled, you can stack the cushion pads together to achieve required balance.



ALTERNATE SHADE SPECIFICATION

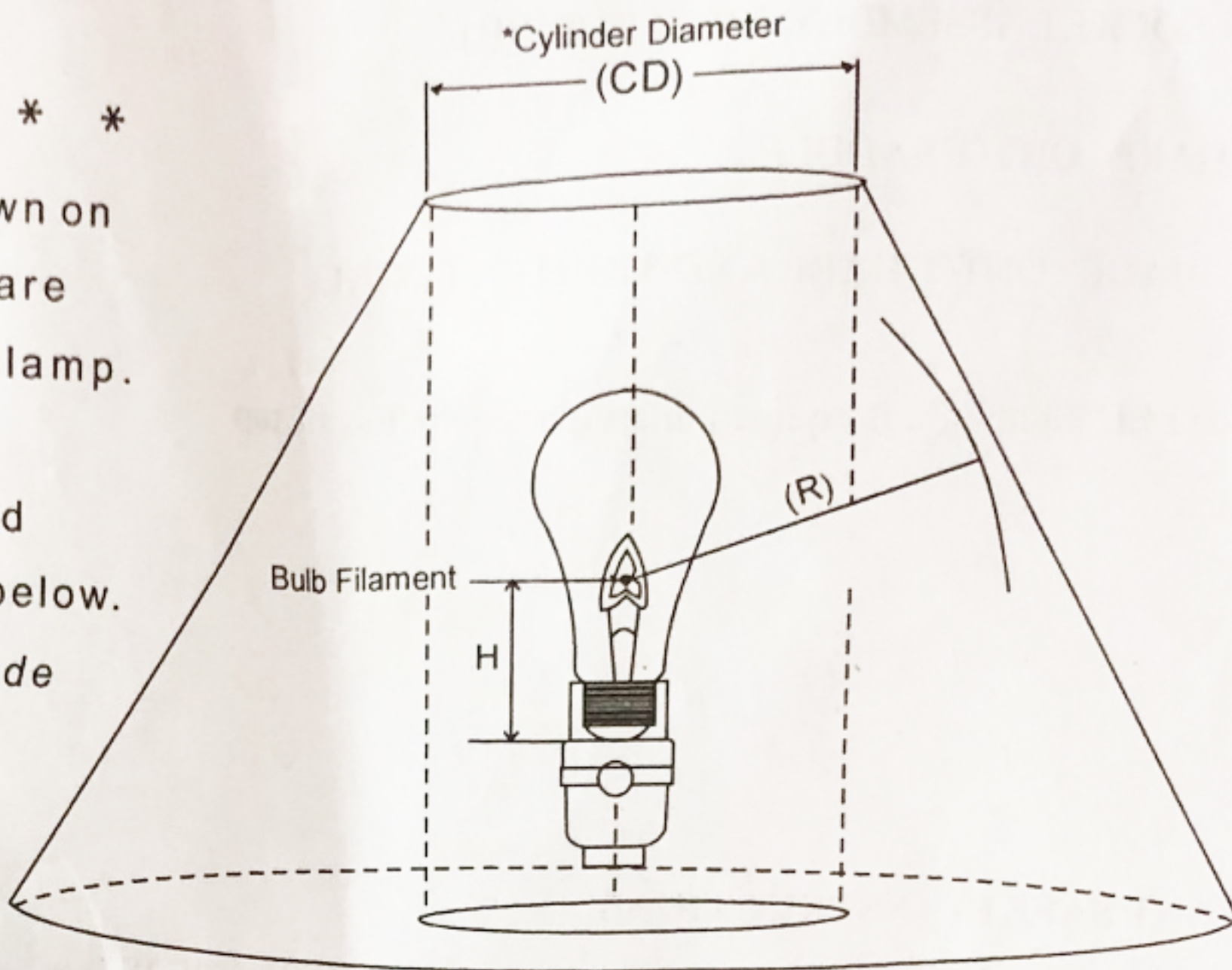
Critical Bulb-to-Shade Spacing for Open Top / Open Bottom Shades

For your safety, follow the dimensions shown in the chart below.

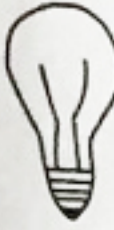
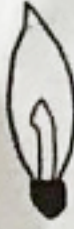
* * WARNING * *

The recommended shades shown on the back of this lamp package are properly sized for use with this lamp. If an **Alternate Shade** is used, measurements must be checked according to the specifications below.

Caution: Using an oversized shade may cause fixture to easily tip over.



AT NO TIME SHOULD THE *CYLINDER DIAMETER (CD) AND **CRITICAL RADIUS (R) MEASUREMENTS OF YOUR ALTERNATE SHADE BE LESS THAN THE MEASUREMENTS NOTED BELOW, AS THIS MAY CAUSE A FIRE HAZARD.

Lamp holder base size	Bulb		*(CD)Cylinder Diameter		** (R) Critical Radius		(H)Lamp centerline length		
	Wattage	Type	Inches	(mm)	Inches	(mm)	Inches	(mm)	
	Medium	25W	A	3	(76.2)	1-5/8	(41.3)	2-3/4	(69.8)
	Medium	40W	A	3.5	(88.9)	2	(50.8)	3-1/4	(82.5)
	Medium	60W	A	3.5	(88.9)	2-1/2	(63.5)	3-1/4	(82.5)
	Medium	75W	A	3.5	(88.9)	2-7/8	(73.0)	3-1/4	(82.5)
	Medium	100W	A	4	(101.6)	3-1/2	(88.9)	3-1/4	(82.5)
	Medium	150W	A	4.5	(114.3)	4-3/4	(120.7)	3-1/4	(82.5)
	Candelabra	25W	B	3	(76.2)	1-5/8	(41.3)	2	(50.8)
	Candelabra	40W	B	3.5	(88.9)	2	(50.8)	2	(50.8)
	Candelabra	60W	B	3.5	(88.9)	2-1/2	(63.5)	2	(50.8)

Terminology

* CD = **Cylinder Diameter**

The minimum diameter of a cylinder, as determined by the bulb wattage in the Chart, which must be able to pass through the openings in the top and bottom of the shade.

** r = **Critical Radius**

The critical radius is the minimum allowable horizontal distance from the center point of the bulb filament to either side of the shade (see diagram).