

# INSTALLATION INSTRUCTIONS FOR 949-126

## For Flush Mount Ceiling Fixtures

©Minka Lighting, Inc.

This product is protected by United States Federal and/or State Law, including Patent and/or Copyright laws.

**WARNING! SHUT POWER OFF AT FUSE OR CIRCUIT BREAKER .**  
**AVERTISSEMENT! COUPER LE COURANT AU NIVEAU DES FUSIBLES OU DU DISJONCTEUR.**

### MOUNTING THE FIXTURE(Fig.1)

1. Shut off the power at the circuit breaker box. Remove old fixture and all hardware from Junction Box.
2. Carefully unpack your new fixture and lay out all the parts on a clear area. Take care not to lose any small parts necessary for installation.
3. Thread the two Studs(A) about 1/4" into the pre-drilled holes in the Mounting strap spaced the same distance apart as the holes in the fixture(B).
4. Attach the Mounting strap to the Junction Box with the two Junction Box Screws as shown. The side of the Mounting strap marked "GND" must face out.
5. While holding the column assembly towards the ceiling, connect the electrical wires as Shown in Fig.2, making sure that all wire nuts are secured. You may have to wrap the connections with electrical tape. If your outlet has a ground wire (green or bare copper), connect the fixture ground wire to it. Otherwise connect fixture's ground wire directly to the Mounting strap with the green screw provided. After wires are connected, tuck them carefully inside the Junction Box.
6. Put lamp body(B) on to the outlet box, aligning screws on Mounting strap with mounting holes in canopy and lock it securely with ball nut(C).
7. Install the light bulbs (not included) in accordance with the fixture's specifications: **DO NOT EXCEED THE MAXIMUM WATTAGE RATING! (NE PAS DEPASSER LA PUISSANCE NOMINALE MAXIMALE!)**
8. Install the light bulbs in accordance with the fixture's specifications. NOTE: DO NOT EXCEED THE SPECIFIED WATTAGE.
9. Thread pipe(E) into the nipple bottom of lamp body(B), then fix it tightly with hex nut(D).
10. Put glass shade(F) on to the lamp body(B), protrude the pipe(E) from the hole of the glass shade, then screw it with brass hex nut(G).
11. Attach finial(H) to the end of pipe(E).

Your installation is now complete. Return power to the junction box and test the fixture.

Fig.1

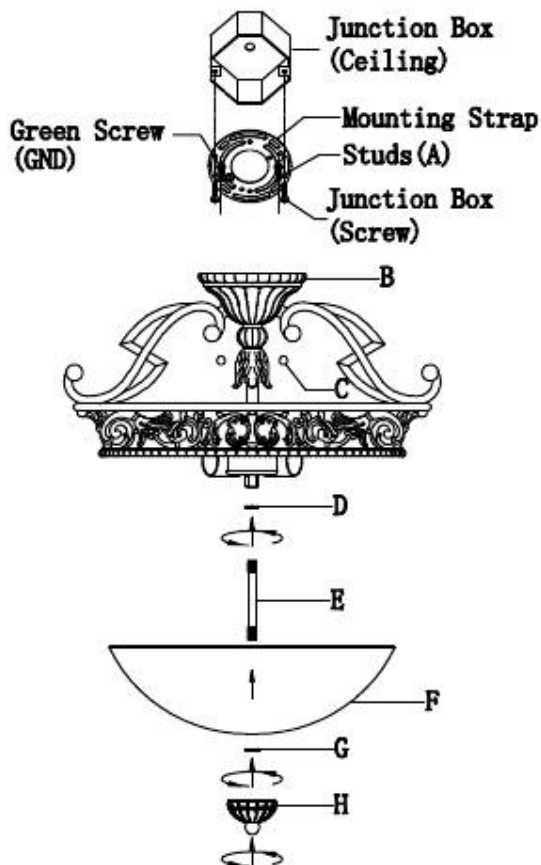


Fig.2

